

## S80LR / S80ULRK

### OPERATING MANUAL

### LED Revolving Warning Light

Thank you for purchasing Q.Light product. Please read this manual carefully before installing this product for safe and long use.

### 1 Product Feature

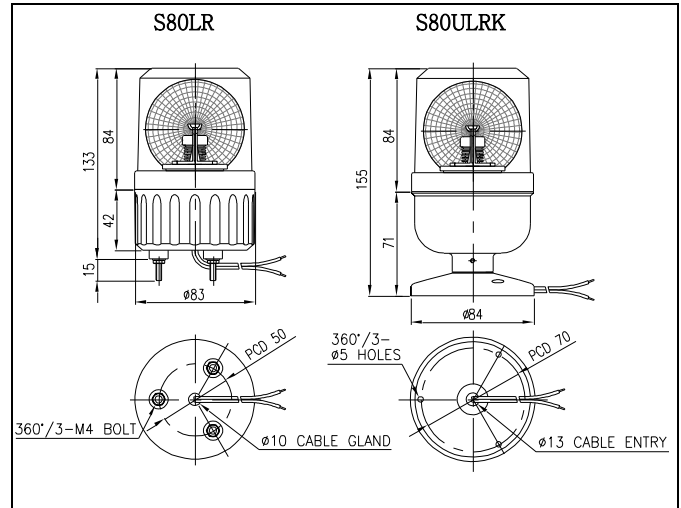
- Having long life of light source by taking high-brightness LED.
- Ensuring high revolving durability by applying a special power transmission system to minimize noise and wear which is gained a patent.
- Excellent in diffusing signal light by employing a double reflection structure with a special reflector and multi-faced reflector
- RPM : 120~140 (control freely)
- Material : Lens-AS, Body-ABS, Reflector-thermostable ABS
- Volume(Only for S80LR) : Max 90dB/m
- Protection Class : IP44

### 2 Specification & External View Drawing

#### General Specification

Model	Rated Voltage	Current	Weight	RPM	Color
S80LR S80ULRK	DC12V	0.183A	0.25Kg	120~140RPM	RED-R AMBER-A GREEN-G BLUE-B
	DC24V	0.127A	0.25Kg		
	AC110V	0.035A	0.43Kg		
	AC220V	0.017A	0.43Kg		

#### External View Drawing



### 3 Wiring Instruction

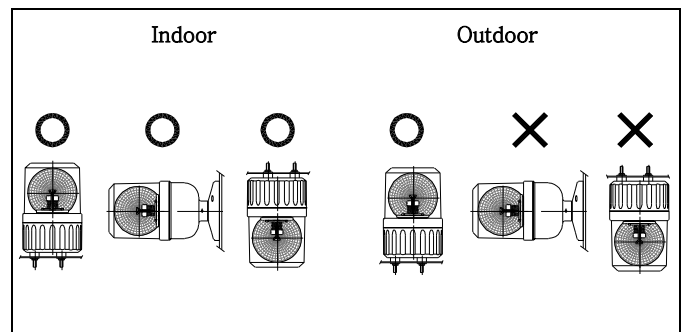
Power line UL1015-NO.18(0.75sq) x 2C 400mm comes out from the product.

- In case of product using AC voltage, connect the line without Polarity(wire color).
- In case of product using DC voltage, black line is negative(-).

※ For both AC110V and AC220V item is custom-made, comes out Power line UL1015-NO.18(0.75sq) X3C 400mm.

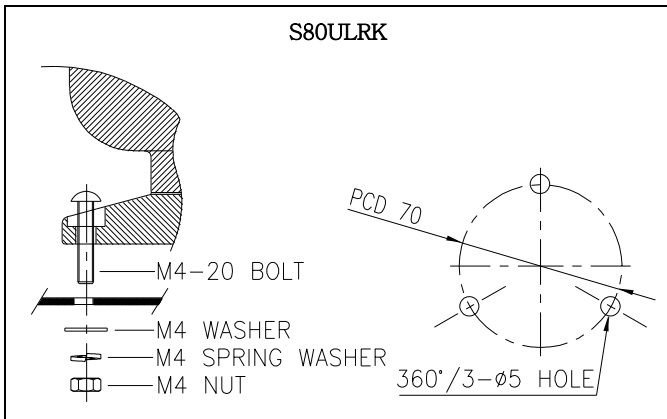
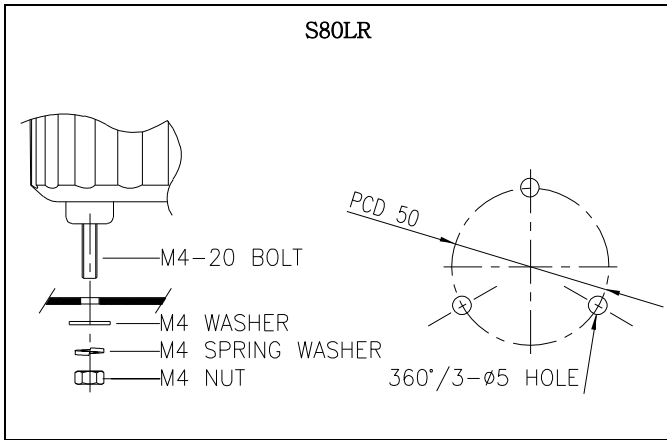
- Using for AC110V : connect Black-White line to power line.
- Using for AC220V : connect Black-Red line to power line.

### 4 Mounting



- This product was manufactured with the structure for indoor use. Installing in any direction is okay for indoor use.
- Outdoor use is limited at a place where no water or very little water percolates. Mounting also should be done only on the vertical standing direction.
- Mount at the place where exists low vibration, low impact, low moisture and low dust as long as possible.
- Please make a hole by a drill where you need to attach our product and refer to below picture for a hole size. (Make sure PCD from external view drawing.)

- S80LR: Fix the product by using nuts(M4-3EA) originally equipped on mounting bolt on bottom of the product.
- S80ULRK: Fix the product by using nuts(M4-3EA) .



### 6 Trouble shooting

Situation	Main reason	Solution
Non- Lighting Partly	LED is partly damaged, supplying higher voltage than rated voltage.	Making Sure Using Voltage
Feeble Lighting, Lowering speed	Supplying Voltage Lower Than Rated Voltage	Making Sure Using Voltage
	Wrong operating Voltage Selection Switch (AC Voltage Type)	Checking Voltage Selection Switch
Non Revolving	Problem with Motor	Contact Q.Light or Their Agent
Neither Lighting Nor Revolving	No Power Supply	Making Sure Power Supply
	Wrong Wiring	Making Sure Wiring

### — For A/S & Information on Product

#### Q-LIGHT CO., LTD.

<http://www.qlightkr.com>

E-mail : [qlightkr@qlightkr.com](mailto:qlightkr@qlightkr.com)

#### Overseas Marketing Team /Plant

Tel) 055-328-4082 Fax) 055-328-4083

178-1 Woogye-Ri, Sangdong-Myun, Kimhae-Si, KyungNam, Korea

### 5 Caution

- If using voltage is seriously higher or lower than rated voltage, it can reduce the self-life of the product or can cause a problem on product operating. Make sure the using voltage does not exceed +/-5% of the rated voltage.
- If lens or body of the product is contaminated by chemicals such as thinner, benzene, the product can be damaged, discolored or deformed. Please be careful.
- Do not give strong impact to the product. It can be a reason of wire disconnection or short circuit.
- Do not strongly pull the wire out from the product. It can cause a disorder.